



CRS *medical*

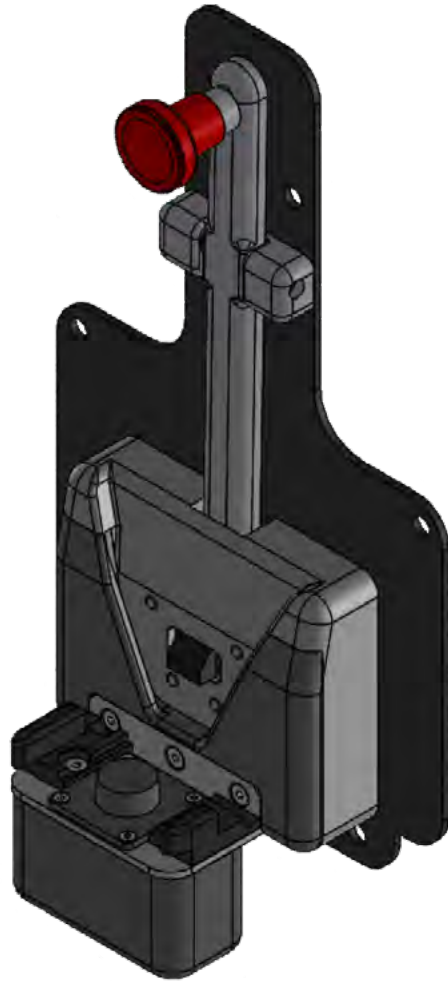
6

Loherstraße

# Product Catalog



CRS *medical*



## TOGETHER DEVELOP SOLUTIONS

Since 2004, we have been providing services for our customers in the field of medical technology. Many years of experience and extensive knowledge in the medical technology sector have made us a dynamic and powerful medium-sized company. Today CRS medical, based in Asslar Germany, has more than 200 employees and is represented on almost every continent of the world. Our mission is to provide customers with targeted, safe and precise solutions. Direct and committed cooperation with the customer enables us to achieve innovative and demand-oriented solutions that meet high requirements in terms of safety and functionality.

Professionalism, flexibility and discretion make us a valuable partner in all of our business units:

Service, Data Solutions and Products.

# TABLE OF CONTENTS

1	ZOLL® .....	2
	Brackets .....	4
	Brackets for CRX modular device accessories.....	5
	Bags .....	8
	Others.....	10
2	Stryker® .....	11
	Brackets .....	11
	Others .....	12
3	Others accessories .....	13
4	Contact.....	14

## Brackets

### Bracket M2 w/o power

P/N: 1042100050



Bracket for ZOLL M2 Series®  
Only in combination with original ZOLL M2 EMS bag  
Not available in all regions

### Bracket AED Plus

P/N: 1042100002



Bracket for ZOLL AED Plus®  
Only in combination with Softbag AED Plus

### Bracket AED Pro

P/N: 1042100001



Bracket for ZOLL AED Pro®  
Only in combination with Softbag AED Pro

### Bracket AED 3

P/N: 1042100003



Bracket for ZOLL AED 3™  
Only in combination with Softbag AED 3

### Bracket AED 3 für BLS Tasche

P/N: 1042100004



Bracket for ZOLL AED 3™  
Only in combination with original ZOLL AED 3 BLS bag

## Brackets for CRX modular device accessories

ZOLL X Series® Propaq MD® und Propaq M®

### Adaption CRX w/o power

P/N: 1042100010



X Series adapter  
without power  
supply

Combinable with:  
P/N: 1042100012  
P/N: 1042100015  
P/N: 1042100020

### Adaption CRX w power

P/N: 1042100011



X Series adapter with  
power supply

Combinable with:  
P/N: 1042100013  
P/N: 1042100016  
P/N: 1042100021

### Wall Fastening CRX w/o power

P/N: 1042100012



Wall bracket without  
power supply for the  
ZOLL X Series®

Combinable with:  
P/N: 1042100010

### Wall Fastening CRX w power

P/N: 1042100013



Wall bracket with power  
supply for the ZOLL X  
Series®

Combinable with:  
P/N: 1042100011  
P/N: 1042100014

### Power Supply Fastening CRX

P/N: 1042100014



Bracket for original ZOLL  
X Series® power supply.  
Both for AC/DC and  
DC/DC variants

Combinable with:  
P/N: 1042100013  
P/N: 1042100016  
P/N: 1042100021

### Wall Fastening CRX Lite w/o power

P/N: 1042100015



Compact wall bracket  
without power supply for  
the ZOLL X Series®

Combinable with:  
P/N: 1042100010

## Wall Fastening CRX Lite w power

P/N: 1042100016



Compact wall bracket with power supply for the ZOLL X Series®

Combinable with:  
P/N: 1042100011  
P/N: 1042100014

## Wall Swivel CRX

P/N: 1042100017



Wall swivel bracket for the ZOLL X Series® up to 90 degrees

Combinable with:  
P/N: 1042100015  
P/N: 1042100016

## Desktop Fastening CRX w/o power

P/N: 1042100020



Table mount without power supply for ZOLL X Series®

Combinable with:  
P/N: 1042100010

## Desktop Fastening CRX w power

P/N: 1042100021



Table mount with power supply for ZOLL X Series®  
**Note: Please specify the side of the power connection.**

Combinable with:  
P/N: 1042100011  
P/N: 1042100014

## Desktop CRX Swivel Plate

P/N: 1042100024



Swivelling attachment for Desktop CRX

Combinable with:  
P/N: 1042100020  
P/N: 1042100021

## Quick Release for Rail

P/N: 1042100403



For fastening the CRX Lite on a standard DIN rail

Combinable with:  
P/N: 1042100015  
P/N: 1042100016

## CRX Lite Rail Adapter

P/N: 1042100019



Tool-free fastening  
on standard rails with  
200mm rail spacing

Combinable with:  
P/N: 1042100015  
P/N: 1042100016

## Bags

### Softbag AED Plus

P/N: 1042101002



Bag for  
ZOLL AED Plus®

### Softbag AED Pro

P/N: 1042101009



Bag for  
ZOLL AED Pro®

### Softbag AED 3

P/N: 1042101007



Bag for  
ZOLL AED 3™

### Softbag X Series exp. blue

P/N: 1042101010



Bag for  
ZOLL X Series®

### Softbag X Series exp. black

P/N: 1042101005



Bag for  
ZOLL X Series®



## Softbag X Series exp. paddle

P/N: 1042101006



Bag for  
ZOLL X Series®  
with Paddle Wells

## Shoulder Strap X Series black

P/N: 1042101004



Shoulder strap für  
Softbag X Series exp.  
black & Softbag X Series  
exp. paddle

## Shoulder Strap X Series blue

P/N: 1042101011



Shoulder strap for Soft-  
bag X Series exp. blue

# Others

**R Series Bed Connector** P/N: 1042100052

For ZOLL R Series<sup>®</sup>



**X Series Bed Connector** P/N: 1042100025

For ZOLL X Series<sup>®</sup>



**Single Charger** P/N: 1042100404

For ZOLL<sup>®</sup> Lead Acid Batteries Not available in all regions



## Brackets for LP 15 modular device accessories

### Stryker LIFEPAK® 15

#### LP15 Wall Fastening w/o power

P/N: 1042100040



Bracket without power supply for Stryker LIFEPAK® 15

Combinable with:  
P/N: 1042100041

#### LP15 Wall Fastening w power

P/N: 1042100043



Bracket with power supply for Stryker LIFEPAK® 15

Combinable with:  
P/N: 1042100041  
P/N: 1042100042  
P/N: 1042100045

#### LP15 Adaption w/o power

P/N: 1042100041



LP 15 adapter for insertion to the LP 15 Wall Fastening

Combinable with:  
P/N: 1042100040  
P/N: 1042100043

#### LP15 Power Adapter

P/N: 1042100042



Device-side adapter with charging function

Combinable with:  
P/N: 1042100043

#### LP15 Power Supply Fastening\*

P/N: 1042100045



Bracket for original LIFEPAK® 15 power supply

Combinable with:  
P/N: 1042100043

## Others

LP 15 Bed Connector

P/N: 1042100044



## Others accessories

### Bracket Mediana D500 Wall Fastening w/o power

P/N: 1041200031



Bracket for MEDIANA  
D500

Combinable with:  
P/N: 1042100030

### Bracket Mediana D500 Adaption w/o power

P/N: 1042100030



Device side adapter for  
MEDIANA D500

Combinable with:  
P/N: 1042100031

### CRS MultiCuff

P/N: 1042100407



Multifunctional cuff  
universally applicable.  
For fastening various de-  
vices to e.g. stretchers

### CRS ResQ

P/N: 1042100408



Emergency backpack  
for transporting an AED  
and materials for wound  
care

## CRS Products

---

### CRS medical

T: +49 (0) 6441 38331-0

E: EMS-Produkte@crs-medical.com

### Sales Manager

Tyler Plante

T: +49 (0) 6441 38331-124

E: Tyler.Plante@crs-medical.com

□ Loherstraße 6  
□ D - 35614 Asslar

□ T: +49 6441 38331-0  
□ F: +49 6441 38331-29

□ info@crs-medical.com  
□ www.crs-medical.com

